



Partlist
8-Lite Plus Colour Changers
(known as RCC 410)

Partlist
8-Lite Plus Colour Changers
(known as RCC 410)

Part No.
PA1504-1 **Name**
8 Lite Plus Chassis



PA0563 Inner Chassis, 15",8 lite PLUS

lower Front 8Lite Plus



PA1505-1 Front Plate with Clips,metal,8 Lite Plus













PA1517 two mounting rails, 8Lite Plus+PRO



Partlist
8-Lite Plus Colour Changers
 (known as RCC 410)

Part No.	Name	
PB0471:3	Red (left) spindle, 8lite Plus	
PB0532	Blue (right) spindle 8lite Plus	
<p><u>Caution: both spindles will be delivered without "roll support pins and springs" ! They have to be ordered seperately:</u></p>		
PB559	Roll support pin "new", with O-rings	
PA0472	Spring for support pin 1,1x8.5innerx22mm	
PA0585	Brass eng.ment ring, F/M for shaft Ø4	
PA0589	Tension Shaft 4mm, 8-Lite and 15"Plus	
PA0593	Tension Knob, gold for 8L & 15"Plus	
PA0583	Pulley, XL29 left 15" Plus	
PA0588	Roll shaft 6mm for 8-Lite and 15"Plus	
PA0592	Zero Positioning Knob black 8L & 15"Plus	
PA0596	Zero Positioning spring 15"/8-Lite Plus	
PC3002	Ball bearing Ø8mm shaft with flange	
PA0587	Roll shaft 8mm for 8-Lite and 15"Plus	
PA0581	Pulley, T2.5 Z=45 for 15" Plus	
PA0569	Worm gear, Z=30m=0,5(Øappr15)	

Partlist
8-Lite Plus Colour Changers
 (known as RCC 410)

Part No.	Name	
PA0580	Worm for shaft Ø8, m=0,5	
PC2557	Belt, Timing, XL/408-6, 15" & 8lite Plus & Pro	
PC2016	Belt, timing, T2,5/200-4	
PD2571	Fan, Linear 24V, 60x60x380 with MOLEX 2P	
PB0599	Electronic box compl. 15" + 8Lite Plus incl. all PCB's and cables	
PA0564	Mounting chassis for electronic, 15" Plus	
PN1168:5BC	DMX PCB, "Plus card", coated, with "Mode" and "Frame" HEX rotary switches	
PN39:3C5	Analogue PCB, Version 3 C / 500, 2 – 16 colours	
PN558:1	FAN PCB, Vers.1 for 15" range scrollers	
PN44	LED PCB, Version 2b, three LED's	

Partlist
8-Lite Plus Colour Changers
 (known as RCC 410)

Part No.	Name	
PK1008	Cable 5 pole for LEDpcb Z=Link,l=130mm	
PK1009	Cable 4 pole Z=Link,l=60mm	
PK1012	Cable 4 pole Z=Link,l=180mm	
PK1999	Cable, FAN Link f. 15" & 8Lite Plus	
PB1460:A15/24	Motor Airpax 24V, T2.5/15 pulley & cable	
PR6556-1	Potentiometer, feedback, 10 turn, hybrid, 5K, type = 8146	
PR539-2	Rangetrimmer, 10K, with collar <u>Or (please check which part is used in your model)</u>	
PR539-4	Rangetrimmer, 10K, without collar <u>Or (please check which part is used in your model)</u>	
PI239-5	Motor drive circuit, L292	
PE1200	3pole socket for soldering on PCB, grey plastic, for use on Analogue PCB	
PE1212	3pole plug for use on flat cables, grey plastic	
PE1201	4pole socket for soldering on PCB, grey plastic	
PE1211	4pole plug for use on flat cables, grey plastic	
PE1205	5pole socket, 90° for soldering on PCB, grey plastic	
PE1213	5pole plug for use on flat cables, grey plastic	

Partlist
8-Lite Plus Colour Changers
 (known as RCC 410)

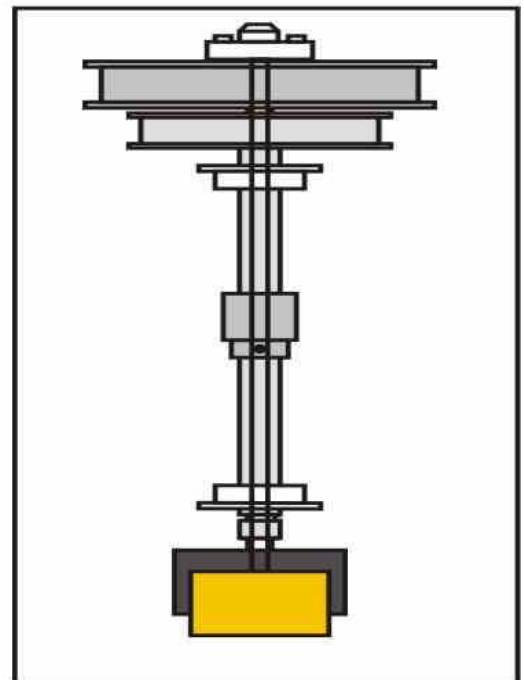
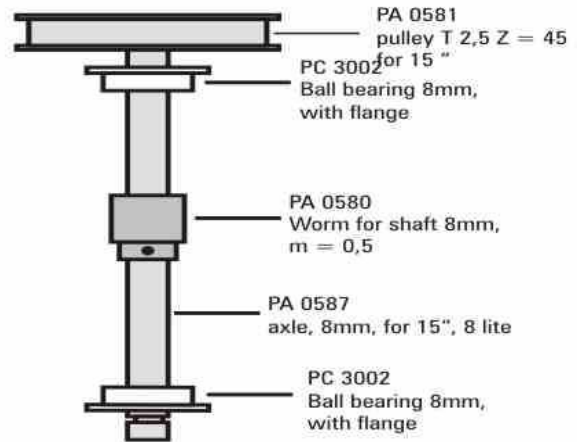
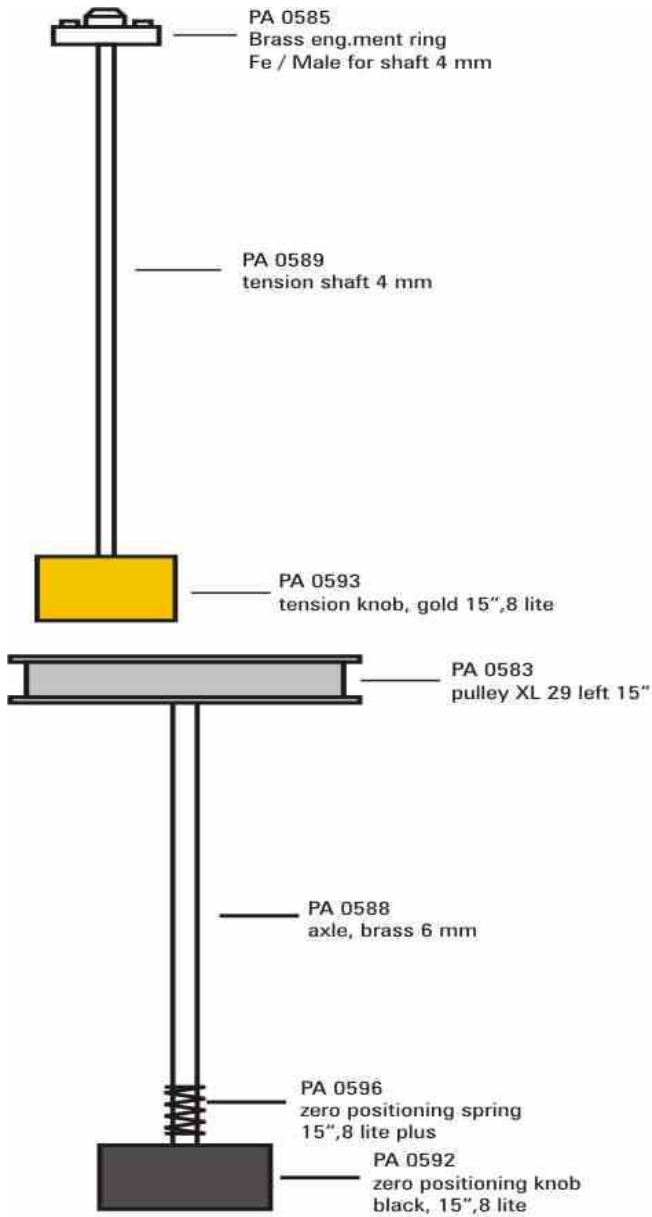
Part No.	Name
PE1100	10way connector, female, white plastic for used on Plus card
PE1105	10way connector, male, for use on Analogue PCB
PE739-1	Analogue/DMX switch, right angle, for use on Analogue PCB
PE768-1	DMX BCD rotary switch (0 – 9)
PE768-3	Mode, Frame HEX rotary switch (0 – F) used on Plus cards
PD339-7	Relay, Analogue PCB, motorbrake, S904
PD3001	Relay, Analogue PCB, S902
PF1002	Screw, M3 x 6 mm, black
PF1021	Screw, M4 x 8 mm
PF1081	Grub screw, M3 x 3 mm
PF1082	Grub screw, M3 x 5 mm
PF3030	Washer, YT3,2 mm, black
PF3031	Washer, YT4,3 mm, black



Partlist

8-Lite Plus Colour Changers

(known as RCC 410)





Worldwide Distribution:
Premier Lighting Products International GmbH
An der Talle 24-28
D-33102 Paderborn
Germany

Tel.: +49 (0) 52 51/14 092-28
Fax: +49 (0) 52 51/14 092-90

www.plp-international.com
sales@plp-international.com

©2007 Rainbow Colour Changers GmbH
Rainbow is a registered trademark of
Rainbow Colour Changers GmbH

German Distribution:
Lightpower GmbH
An der Talle 24-28
D-33102 Paderborn
Germany

Tel.: +49 (0) 52 51/14 32-0
Fax: +49 (0) 52 51/14 32-80

www.lightpower.de
info@lightpower.de

All technical specifications are subject to change without notification. We do not assume liability for any incorrect information in this partlist.